

RICOH PMU

RN5T567 & RN5T618

**For Handy Terminal
market**

Jan, 2015

Ricoh Electronic Devices Company

RN5T567

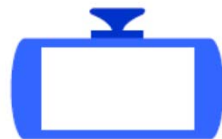
QFN0606-48
(0.4mm pitch)
No Charge & Fuel gauge

RN5T618

QFN0606-48
(0.4mm pitch)
With Charge & Fuel gauge



STB



PND



Handy Terminal

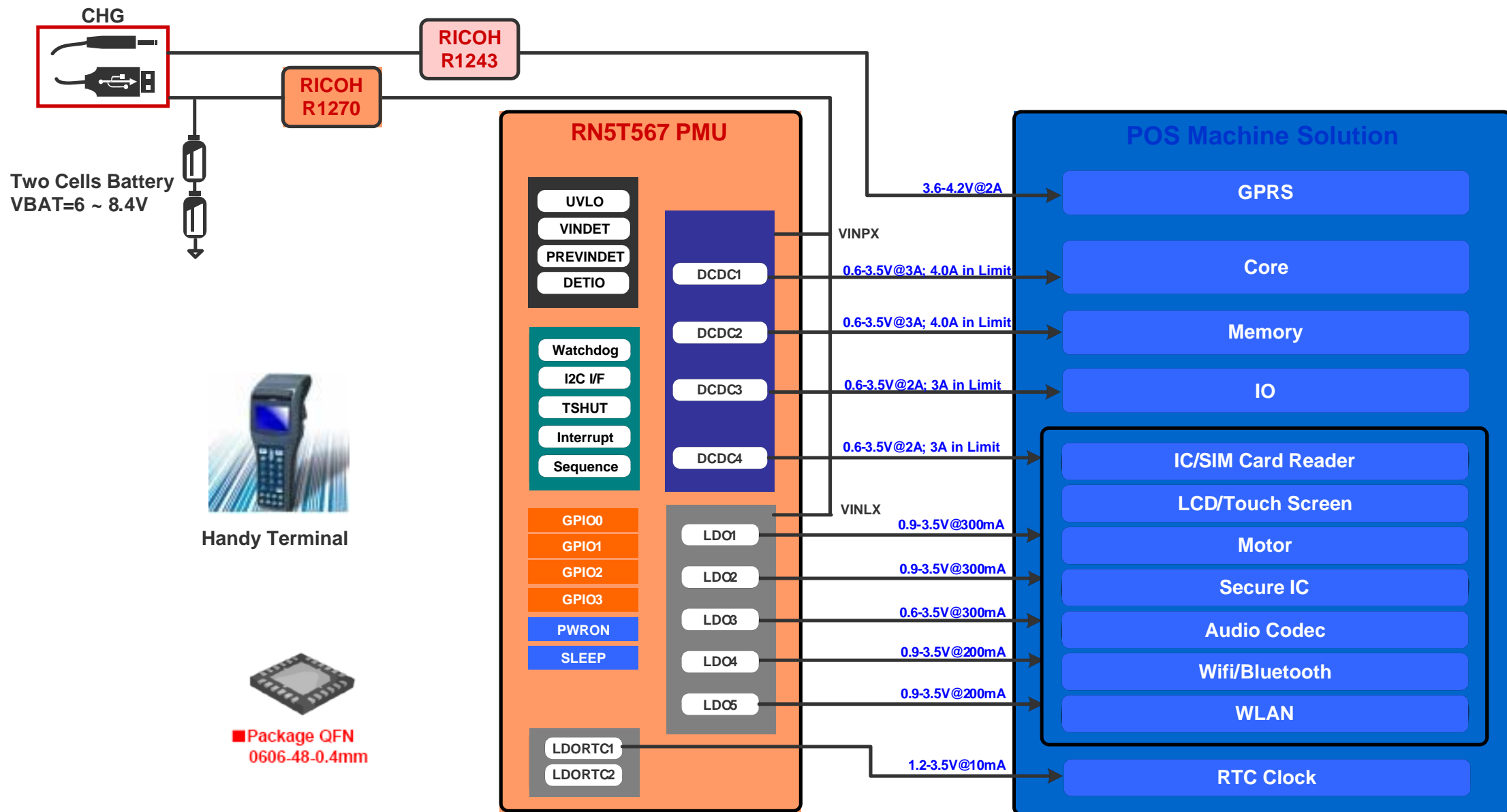


Router

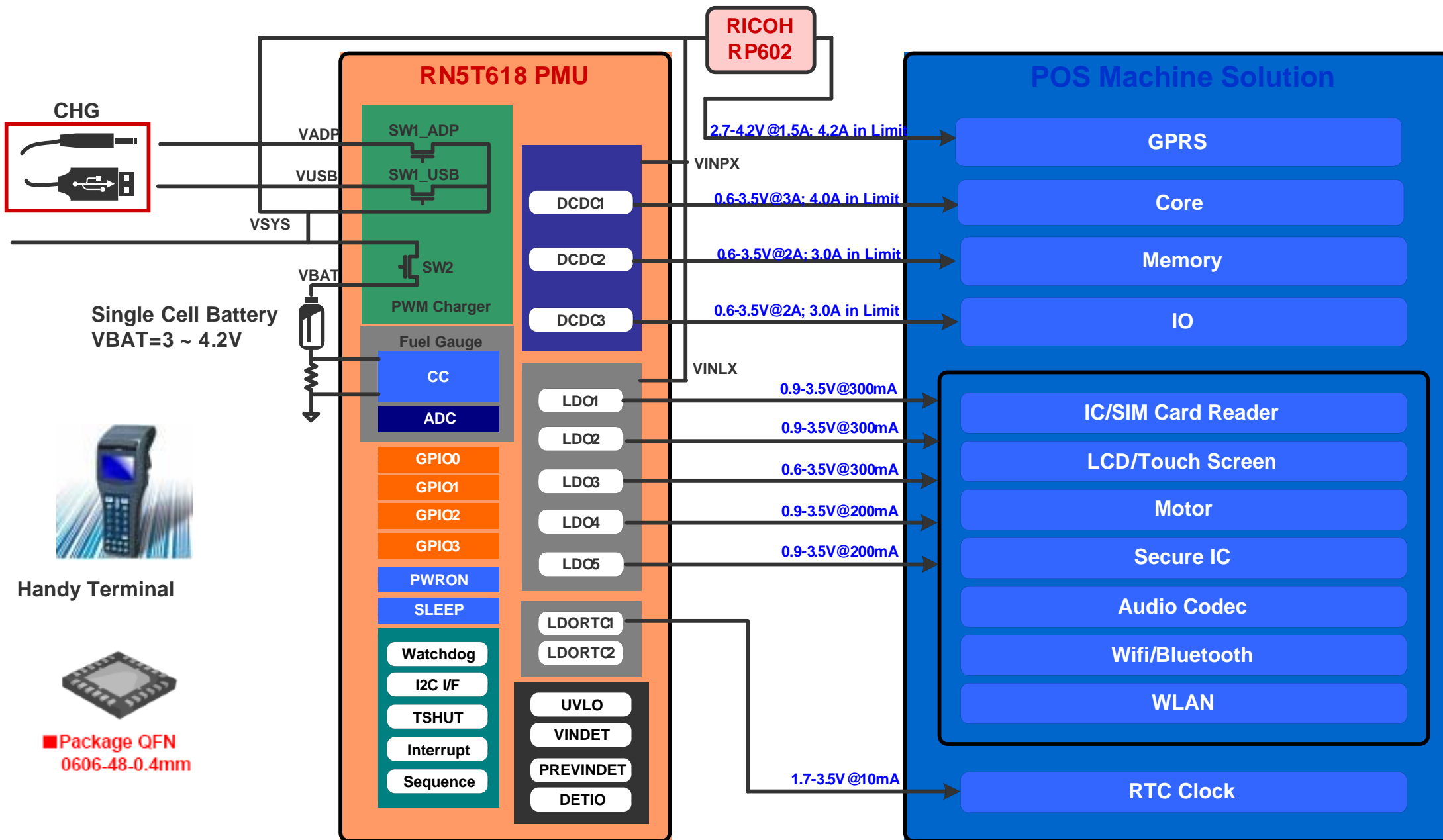


Dongle

RN5T567 For Handy Terminal Solution (Two cells)



RN5T618 For Handy Terminal Solution (Single cell)



Transform
your business
with Ricoh

RICOH

Thank You!!!